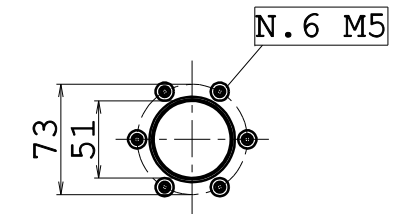
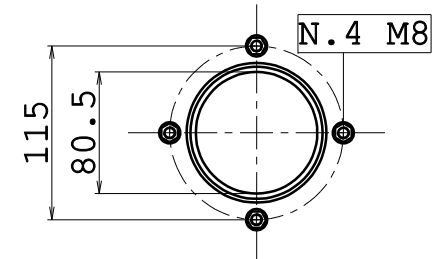


1 OIL CAP FLANGE

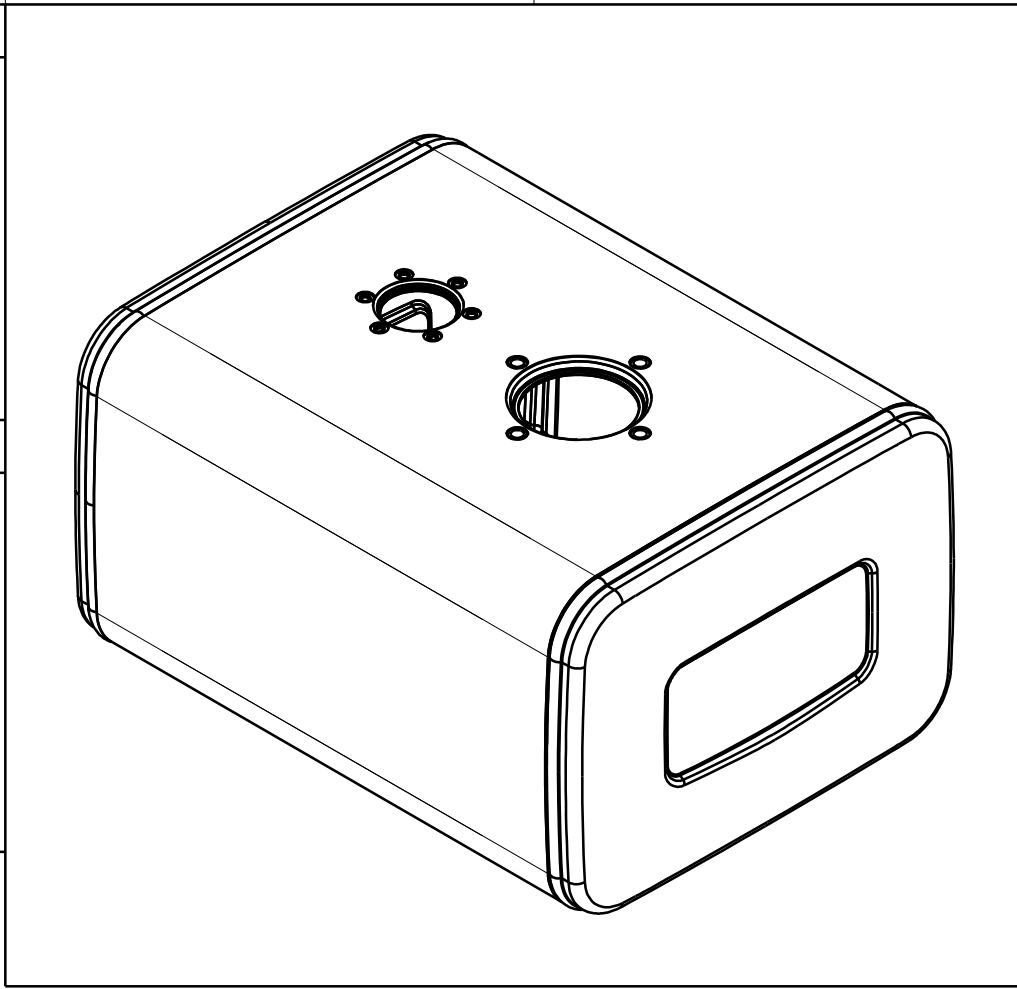


SCALE 1:2,5

2 RETURN FILTER FLANGE



SCALE 1:2,5



Tank composition

Pos.	Denominazione	Q.tà
1	OIL CAP FLANGE	1
2	RETURN FILTER FLANGE	1
3	OIL SUCTION CONNECTION 1" 1/4	1
4	3/4" LEVEL INDICATOR	1

Tank dimension

0	EMISSIONE	27/08/2018	FG	MM	EB
Rev.	Modify description	Date	Des.	Ver.	App.
Level indicator capacity 33 Lt	Part name : Oil tank 40 LT Aluminium fam. 260x360				
Full capacity 40 Lt	Part code : NSOA0040046H000	Replace the	Material code		
Support weight	Scale 1:5	Replaced by	(X)=A: Alluminio EN AW 5754 UNI EN 573-3		
Tank weight (F,I,T) kg (A) kg					
Dimensions 465x260x360 mm					
General tolerances: ISO 2768 V			Drawing format A3		
OWNERSHIP OF THIS DRAWING IS RESERVED BY LAW AND MAY NOT BE REPRODUCED IN WHOLE OR IN PART WITHOUT PERMISSION OF PADOAN S.R.L.			DO NOT MAKE MEASUREMENTS ON DRAWING DO NOT CHANGE WITHOUT TECHNICAL OFFICE AUTHORIZATION		