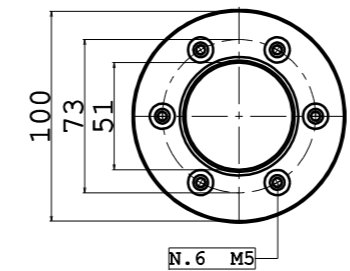
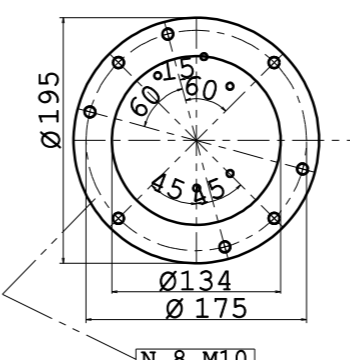


1 OIL CAP FLANGE

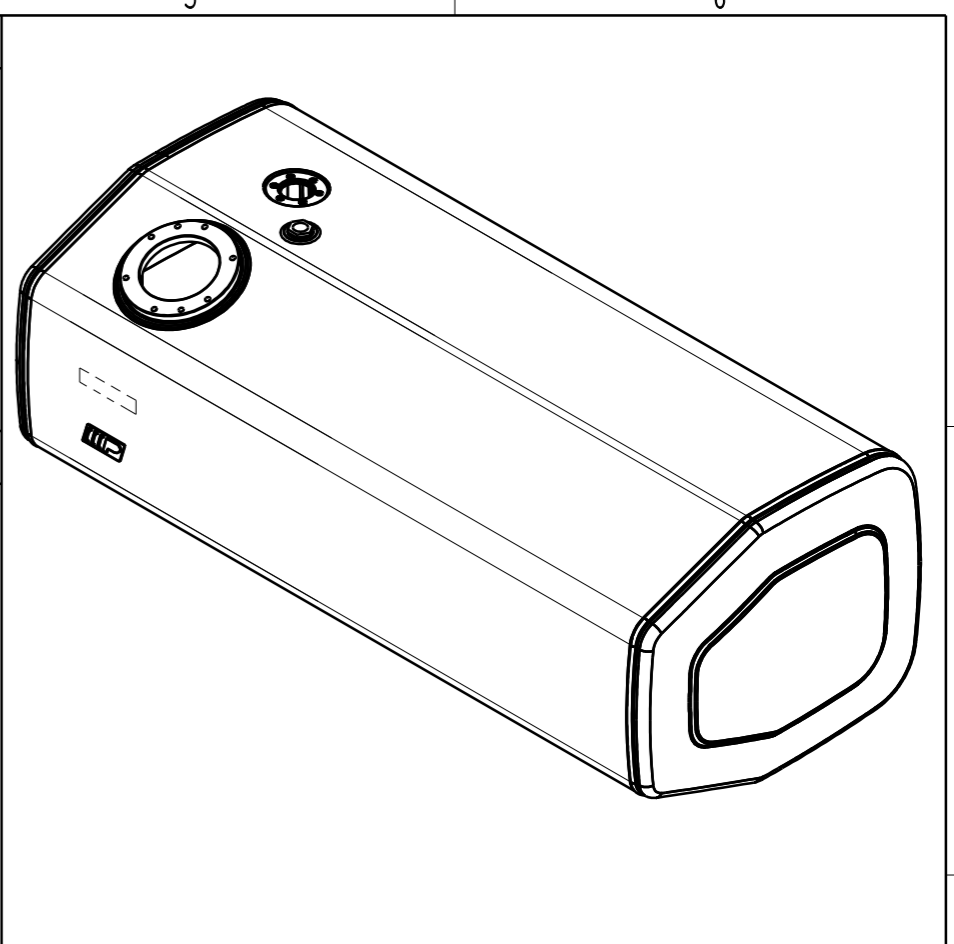


SCALE 1:5

2 RETURN FILTER FLANGE



SCALE 1:5



Tank composition

Pos.	Denomination	Q.ty
1	OIL CAP FLANGE	1
2	RETURN FILTER FLANGE	1
3	LEVEL INDICATOR 254 mm PREDISPOSITION	1
4	OIL SUCTION CONNECTION 2" 1/2	2
5	DRAINAGE 3/4"	1
6	OIL RETURN CONNECTION 3/4"	1
7	PARTITION	3
8	REFLUX PROTECTION WALL	1
9	M12 SERVICE NUT (ONLY PAINTED STEEL)	2

Tank dimension

Level indicator capacity	300-102 Lt
Full capacity	412 Lt
Support weight	20 Kg
Tank weight	(F,I,T) kg (A) kg
Dimensions	1500x500x640 mm

Rev.	Modify description	Date	Des.	Ver.	App.
2	MODIFIED REURN CONNECTION 3/4" - NEW LOGO PADOAN	13/04/2016	FM	MM	EB
1	ADDED TWO GROUND CONNECTIONS	23/01/2015	AF	MM	CGP
0	EMISSION	07/03/2014	MM	MM	BM

Part name : Oil tank 400 LT Al/Steel/St.Steel fam. 500x640 T20		Material code		General tolerances: ISO 2768 V
Part code : NSO (X) 0400150T200	Replace the	(X)=F:Steel DC03A EN 10130		
Scale OUT OF SCALE	Replaced by	(X)=I:Stainless Steel AISI 304 UNI EN 10088 (X)=T:Text Stainless Steel AISI 304 UNI EN 10088		
Dimensions		(X)=A:Alluminium EN AW 5754 UNI EN 573-3		Drawing format A3
				DO NOT MAKE MEASUREMENTS ON DRAWING DO NOT CHANGE WITHOUT TECHNICAL OFFICE AUTHORIZATION
OWNERSHIP OF THIS DRAWING IS RESERVED BY LAW AND MAY NOT REPRODUCED IN WHOLE OR IN PART WITHOUT PERMISSION OF PADOAN S.R.L.				AUTHORIZATION